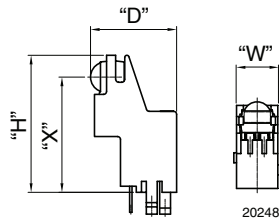
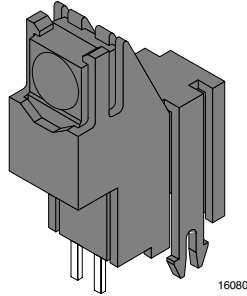


# IR Receiver Modules for Remote Control Systems


**FEATURES**

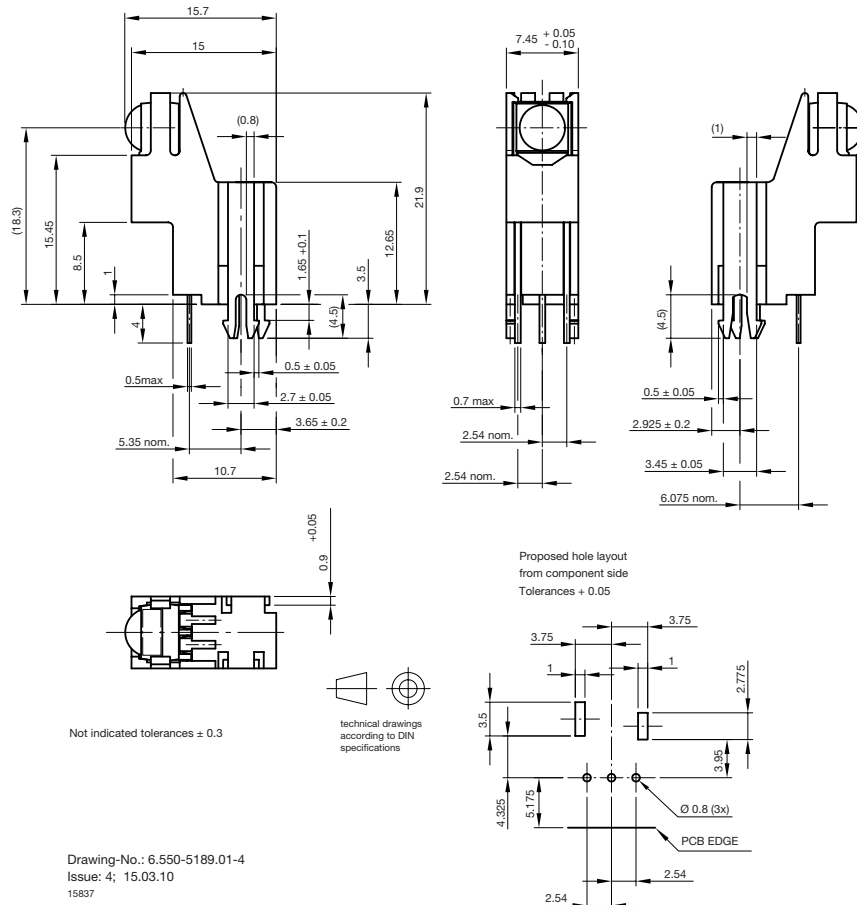
- Compliant to RoHS directive 2002/95/EC and in accordance to WEEE 2002/96/EC


**AVAILABLE FOR:**

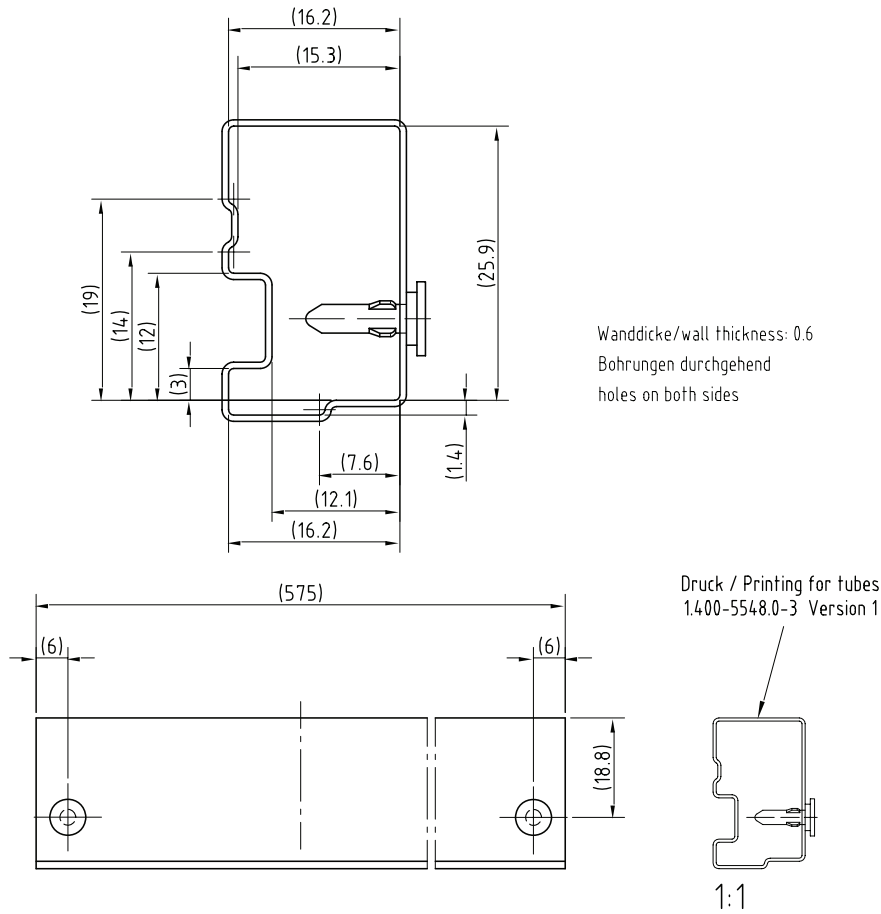
- TSOP34...
- TSOP4....
- TSOP32...
- TSOP2....


**RoHS  
COMPLIANT**

NAME	LENS AXIS (X)	VIEW	TYPE	HEIGHT (H)	WIDTH (W)	DEPTH (D)
TE1	18.3	Side	Holder	21.9	7.45	15.7

**MECHANICAL DIMENSIONS** in millimeters


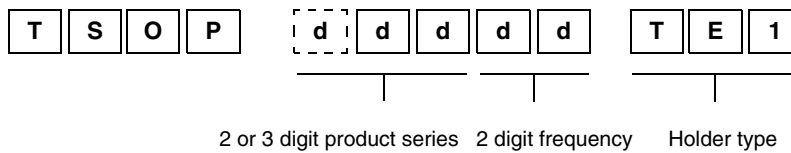
**PACKAGING DIMENSIONS** in millimeters



Drawing-No.: 9.700-5215.0-4  
Rev. 5; Date: 20.11.03

20264-1

**ORDERING INFORMATION**



**Note**

d = "digit", please consult the list of available series on page 1 to create a valid part number.

**Example: TSOP14838TE1**

**PACKING QUANTITY**

- 74 pieces per tube
- 18 tubes per carton